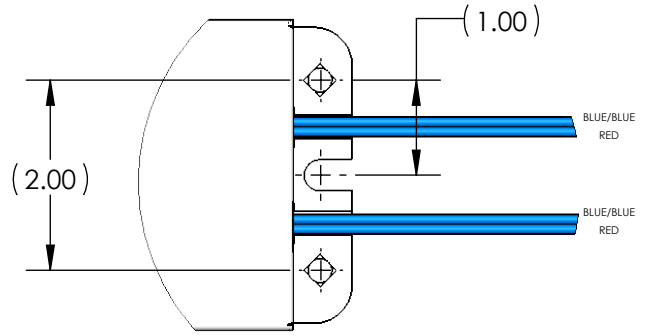
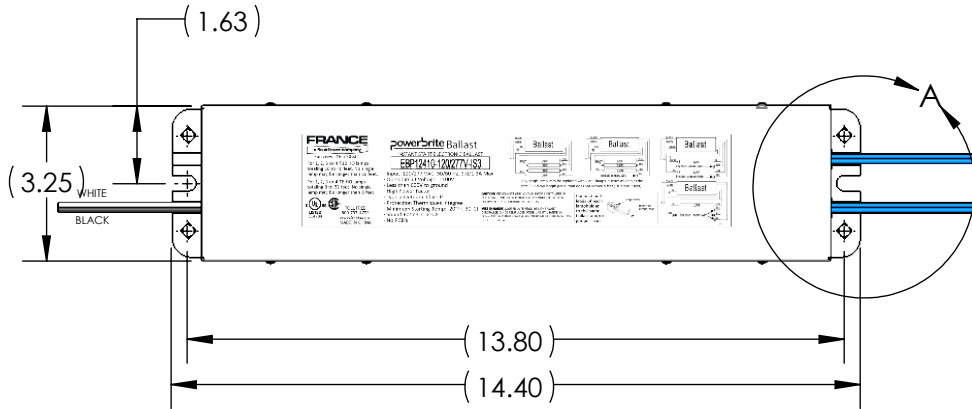
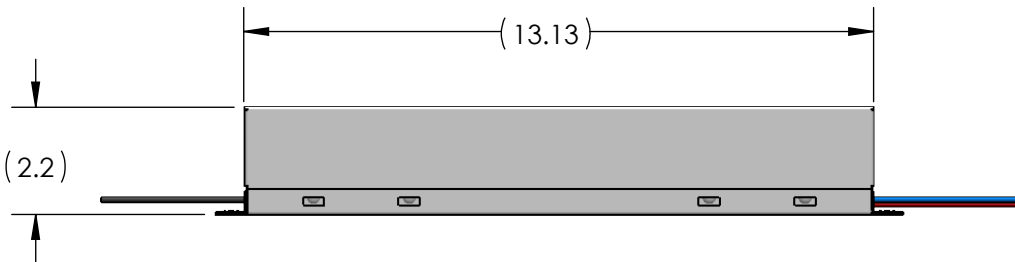
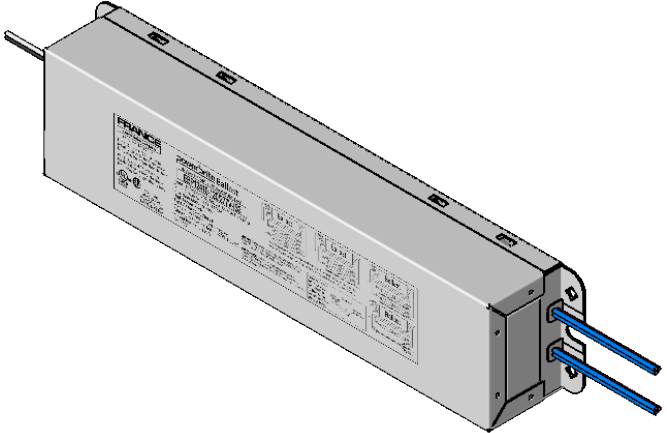


NOTES:

- CASE MATERIAL & FINISH:ALUMINUM .030" THK , POWDER COAT WHITE
- ASSEMBLY TO BE RoHS COMPLIANT.
- NOTE: ALL DIMENSIONS ARE FOR REFERENCE ONLY



LEAD LENGTHS (FEET)			
BLACK	WHITE	RED	BLUE
2	2	11	11



DETAIL A
SCALE 1 : 2

REV.	APPROVED	ECO	DATE	BY	DESCRIPTION
REVISIONS					

This drawing is loaned with the expressed agreement that the drawing and information therein contained are the property of the Scott Fetzer Electrical Group, copied or otherwise disposed of, directly or indirectly, and will not be used in whole or part to assist in making or furnish any information from the making of drawings, prints or other reproductions hereof, or for making the apparatus of parts thereof, except upon the written permission of the Scott Fetzer Electrical Group, first obtained and specific to each case. The acceptance of this drawing will be construed as an acceptance of the foregoing agreement.

 a Scott Fetzer company 2268 Fairview Blvd Fairview, TN 37062 (615) 799-0551	TITLE BALLAST, ELECTRONIC, EBP12410-120/277V-IS3		Sheet 1 of 1
	Sheet Size: A	Dimensioning Per ASME Y14.5M-1994	
TOLERANCES: DECIMALS .XXX = ±.005 = [.13mm] .XX = ±.010 = [.25mm]		DIMENSIONS IN INCHES [mm] .X = ±.020 = [.50mm] ANGLES = ±1°	
DRAWN BY SJH		CHECKED BY DKA	
DATE: 8/22/2016		SCALE: 1:1	
GD&T AND  DENOTES CRITICAL INSPECTION FEATURE		DRAWING NO. XP19135	
		REVISION A	