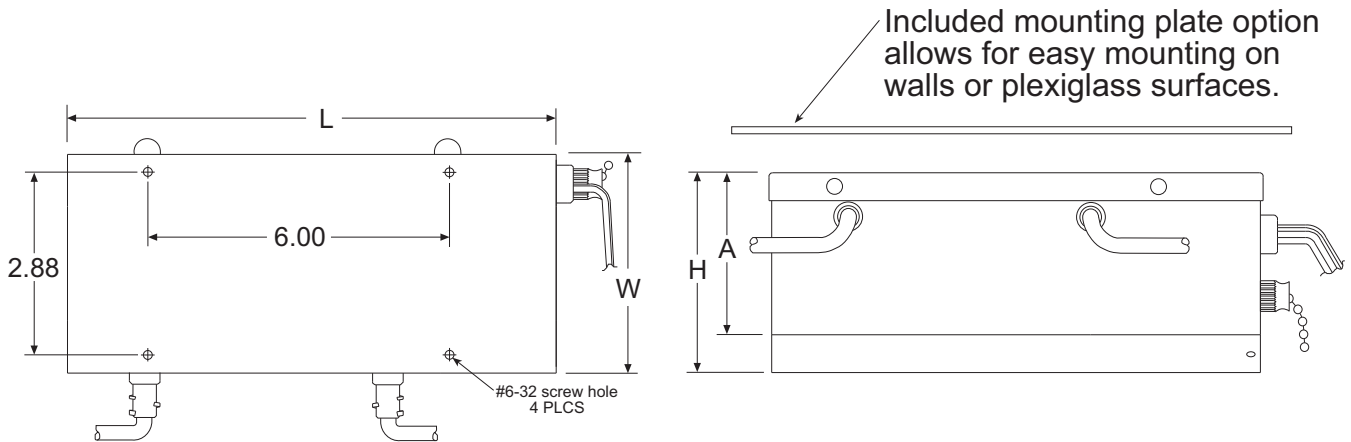


Indoor Window Frame Transformer FFG-7 Series



- ◆ UL 2161 Listed
- ◆ Designed for Easy Frame Mounting on Indoor Window Type Neon Signs of Virtually Any Size or Style
- ◆ 8' Ft. Three-Conductor Line Cord with 3-Prong Plug, Pull-Chain ON/OFF Switch, and 24" Long Secondary Cable
- ◆ Secondary Circuit Ground Fault Protection on 9030 and 7530

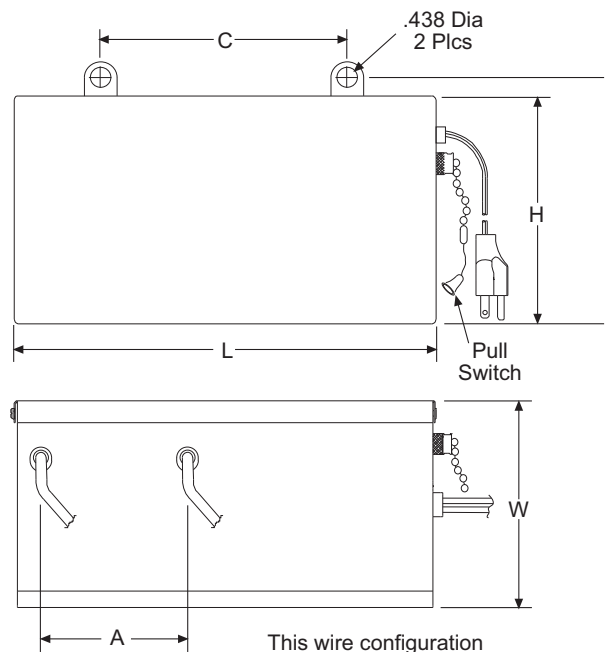


CATALOG NUMBER	VAC	Hz	SECONDARY		PRIMARY V.A.	INPUT AMP	WT LBS	CASE DIMENSIONS			
			VOLTS	mA				L	W	H	A
9030 FFG-7	120	60	9000	30	300	2.50	10	8.16	3.72	3.25	2.63
7530 FFG-7	120	60	7500	30	260	2.10	9	8.16	3.72	3.25	2.63
6030 FFG-7	120	60	6000	30	200	1.65	9	8.16	3.72	2.86	2.23
5030 FFG-7	120	60	5000	30	170	1.40	9	8.16	3.72	2.86	2.23
4030 FFG-7	120	60	4000	30	140	1.15	9	8.16	3.72	2.86	2.23

All dimensions are in inches unless otherwise specified.

HG Series Hanger Style Transformers

- ◆ UL 2161 Listed
- ◆ A bracket is provided for wall or ceiling installation. Wall mounting the 12,000 and 15,000 volt models require this bracket plus a 1/2" spacer.
- ◆ 8' Ft. three-conductor line cord with 3-prong plug, pull-chain ON/OFF switch, and 24" long secondary cable
- ◆ Secondary Circuit Ground Fault Protection



All dimensions are in inches unless otherwise specified.

Catalog Number	VAC	HZ	Secondary		Primary V.A.	Input Amps	Wt. lbs.	Dimensions in Inches					
			Volts	mA				L	W	H	A	B	C
15030 HG *	120	60	15000	30	475	3.95	25	10.25	5.00	5.1	5.4	5.8	5.6
12030 HG *	120	60	12000	30	375	3.15	22	10.25	5.00	5.1	5.4	5.8	5.6
9030 HG	120	60	9000	30	300	2.50	10	8.00	3.22	3.5	4.0	4.0	5.4
7530 HG	120	60	7500	30	250	2.10	9	8.00	3.22	3.5	4.0	4.0	5.4

* Wall installation of these models requires 1/2" spacer

xs09019 10/31/11