

## Installation Instructions *mini LED Fast-Pak™, Double mini LED Fast-Pak™*

- **READ AND FOLLOW ALL SAFETY INSTRUCTIONS.**
- Read and follow all instructions that are on the product or provided with the product.
- Installation work and electrical wiring must be done by qualified person(s) in accordance with all applicable codes and standards, including fire-rated construction.
- **WARNING: Risk of Electric Shock. When used outdoors, install only on a circuit protected by a Class A GFCI.**
- **WARNING: Risk of Fire. Installation involves special wiring methods to run wiring through a building structure. Consult a qualified electrician.**
- **WARNING: Risk of Electric Shock. Mount the unit at a height greater than 1 foot from the ground surface.**
- Turn power off at fuse or breaker panel before installation, inspection, service or removal.
- For use in Wet, Damp, or Dry locations.
- Power Supply must be properly grounded before operation. This product is intended to be installed in accordance with the requirements of Article 600 of the National Electrical Code, NFPA 70 and/or other applicable local codes. This includes proper grounding and bonding of the sign.
- All wiring must be rated at 105°C or greater.
- **SAVE THESE INSTRUCTIONS – This manual contains important safety and operating instructions for power units.**

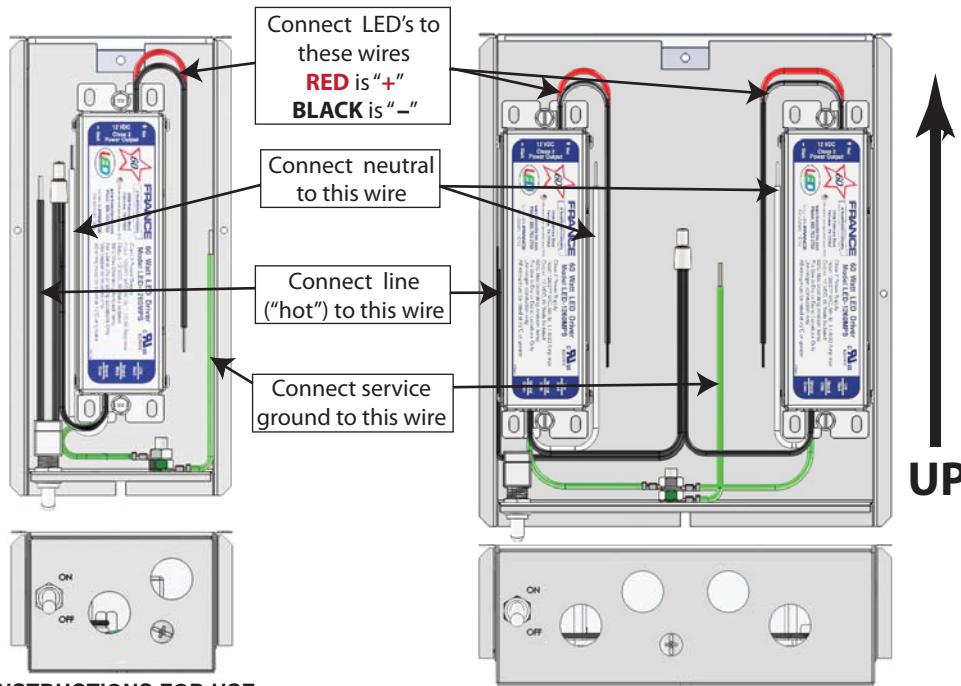
UL Recognized France LED Power supply and toggle switch pre-mounted and wired in WET/Damp/Dry UL-Listed LED Power Supply Box - may be used outdoors without additional protection from precipitation if mounted as indicated in this document.

These LED Power Supply enclosures exceed the requirements of the 2008 NEC, Paragraph 600-8, Electric Signs and Outline Lighting – Enclosures and are listed to applicable US and Canadian standards and requirements by Underwriter's Laboratories, Inc. including UL48 and UL879. They are made of G90 galvanized steel sheet, .029 inch thick, which exceeds the requirements for minimum thickness and corrosion protection.

Power supplies and switch are UL Recognized Sign Accessories.

Westrim LED Power Supply Boxes are rated WET for outdoor exposed locations, subject to precipitation, direct spray or splashing, do not require extra rain/splash shields nor require being raised above a flat mounting surface as other brands do. Do not place where subject to flooding or standing water.

### ACCEPTABLE MOUNTING AND WIRING



**Vertical**

**UP**

**Horizontal**

### INSTRUCTIONS FOR USE:

- Locate the mini LED Fast-Pak in an accessible indoor or outdoor location and securely fasten in place.
- Mount either vertically (see above for acceptable orientation) or horizontally. Do NOT place in a location subject to standing water or flooding. The product is designed with drain holes, so no drilling is required. If used above a suspended ceiling, do NOT use the ceiling grid for support.
- Do not attempt to mount an additional power supply in the box - overheating of the power supplies will result.
- For wet location, use weatherproof conduit and connectors listed for the purpose for the primary power entries and exits and power supply exits. In dry and damp locations, also use connectors listed for that purpose.
- Make sure the primary wiring is routed such that it does not compromise the spacing requirements. Orient wire connections off bottom of box.
- Connect free black wire from switch to the service line ("hot") wire. Connect free white wire to service neutral. **The service ground must be securely connected to the pre-bounded green wire. (see drawings above).** After each wire enters the enclosure, it should be formed into a drip loop.
- **120/277 volt input only!**
- Do NOT leave any wiring holes open. Use provided hole plugs to close any unused holes.
- Secure the cover with metal screws supplied. Do NOT leave the cover off of the box.