



## LED-1260EPS

### 60 Watt *Reliant*<sup>®</sup> *Tru-Power*<sup>™</sup> LED Power Supply

#### ◆ Exclusive Design Features

- **Enhanced Visual Indicator** – Lights **GREEN** when load is acceptable, **RED** when load is excessive.
- **Self Protection Feature** – Limits output current when an LED string overload is attempted
- **Short circuit Protection** – Automatically resets when LED string short circuit condition is removed
- **Tru-Power<sup>™</sup> Rated** – Designed to operate reliably at full rated power in maximum rated ambient temperature: no underloading is required.
- **Light Safeguard Circuitry** – LED load will not blink or shut off even when an overload of LED's are connected
- **New Smaller Size** – 8.32" long x 2.1" tall x 1.45" not including conduit fittings

◆ Output: 12 VDC, 5 Amps, 60 Watts, no minimum load requirements.

◆ Input voltage capability: 120 - 277 VAC.

◆ Operating temperature: -40°C to 60°C

◆ Wet, Damp, or Dry location use: mountable indoors or outdoors in letters, raceways, transformer cans, or in weather-exposed locations (if installed per installation instructions)

◆ 1/2 inch conduit fittings for input and output

◆ 8" long input and output leads

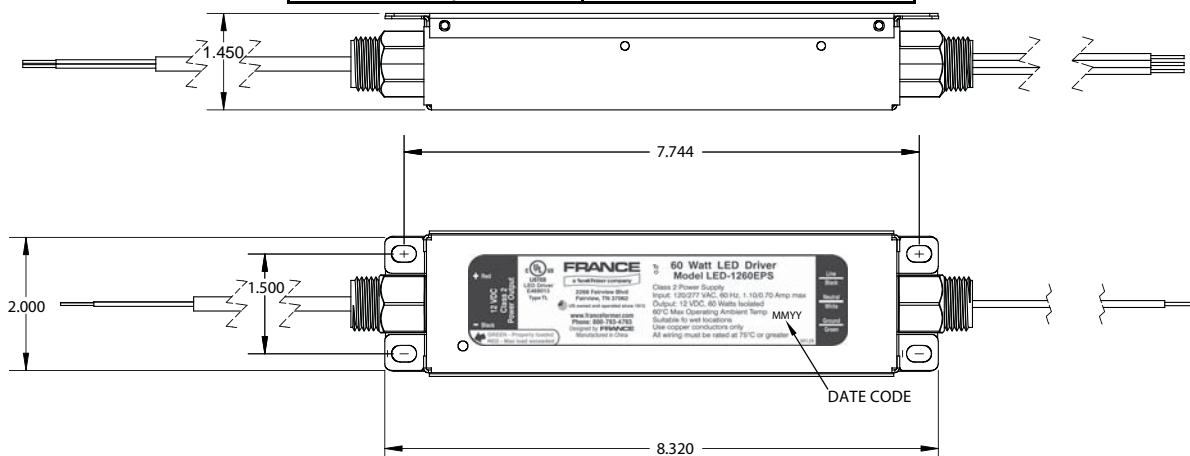
◆ Warranty: 5 years in a 60°C (140°F) or lower ambient temperature based on proper use, installation and wiring in accordance with instructions provided and use in applications and environmental conditions for which it was designed.



The latest LED Power Supply from the name you trust for Quality Power Solutions

## Electrical Specifications

At Input Voltage:	120 VAC	277 VAC
Input Frequency:	50/60 Hz	
Max Input Current:	1.10 Amp	0.70 Amp
Output Voltage:	12VDC	
Max Output Current:	5.0 Amps	
Max Output Power:	60 Watts	



## Check out our other LED Products

All products are UL Sign Accessories

### LED-1260MPS

- Compact power supply
- 120/277 VAC input
- No derating required
- Dry and Damp locations
- 5 year warranty



### LED Power Supply Box

- Model TC15TOW-LED
- For Wet, Damp, or Dry locations
- Rigid construction
- Convenient knockouts



LED WARRANTY POLICY

### Double **mini LED Fast-Pak™**

- Complete kit: Can, switch, two LED-1260MPS power supplies, pre-wired



Single **mini LED Fast-Pak™** also available

FRANCE, a Scott Fetzer Company, warrants its LED Products to be free from defects in material and workmanship at the date of shipment and for the warranty period stated below. This warranty is conditional based upon proper installation, use and maintenance of the product. This warranty is not applicable to any product not installed and operated in accordance with France specifications and connection diagrams or which have been subjected to abnormal operating conditions.

#### Limitation of Liability

NO other warranty, whether express or implied, including any warranty of merchantability or fitness for a particular purpose, shall exist in connection with the sale or use of such products. Without limiting the generality of the foregoing, the Company shall under no circumstance be liable for any incidental or consequential loss or damage whatsoever arising out of, or in any manner related to, any such breach of warranty or claimed defect in, or non-performance of, the products. The Company shall not be responsible for any other costs, including installation or field support labor or loss of profits, income or revenue.

#### Usage

This warranty is conditional based upon proper use, installation and wiring in accordance with instructions provided, and use in applications and environmental conditions for which they were designed. This warranty does not apply to any abnormal use or any installations which do not comply with the National Electrical Code, Underwriters Laboratory Standards, Canadian Standards Association or any local or regional code guidelines. France technical support is available to assist with any information or troubleshooting assistance as may be required.

#### Warranty Claims

All claims under this warranty must be made in writing and delivered to the Company prior to the expiration of the established warranty period from date of manufacture. In the event a product fails under the stated warranty period, contact Customer Service at sales@sfcg.com or 800-793-4793 for a RGA (Return Goods Authorization) number and instructions. The RGA shall be valid for a period of 30 days. All shipping boxes and packing slips must be marked with the RGA number and a copy of the approved RGA form must be included with the shipment.

The Company shall inspect and examine all products claimed to be defective to evaluate proper usage, determine the cause of failure, and make a determination, in its sole judgment whether the products are defective and covered by this warranty. The Company shall, at its option, replace free of charge any product determined to have been defective at the time of shipment from the factory. If circumstances are such as to preclude the remedying of warranty defects by replacement, the Company shall, upon the return of the products, refund to the original buyer any part of the purchase price paid to the Company for the stated products. Inspection shall be performed at the Company's plant or at such other place as may be designated by the Company; and, freight for returning products for inspection shall be paid by the buyer, unless otherwise specified on the RGA form.

The foregoing shall constitute the exclusive remedy of the purchaser and the sole liability of the Company.

#### LED POWER SUPPLIES

##### 5 Year Warranty

Effective date March 7, 2014

xs09084 07/08/14

Contact Customer Service: 800-793-4793 email: sales@sfcg.com www.franceformer.com