

by **FRANCE**
HID Pulse Start Lighting Fixture

SBIP - 320P 320 watt
 SBIP - 200P 200 watt

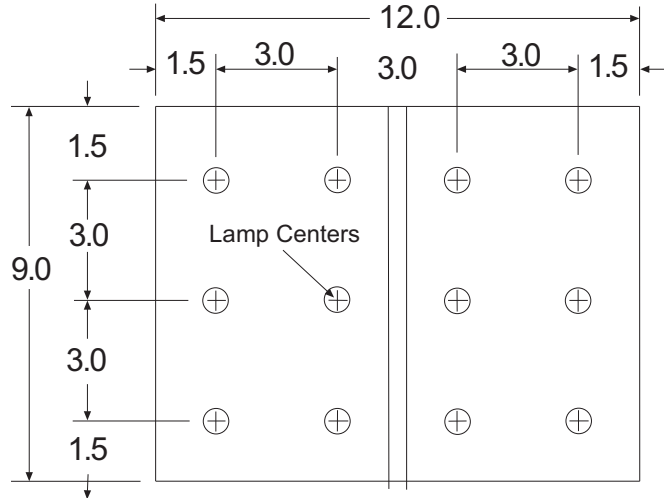


These Sign Brights conform to "Circle E" electrical efficiency requirements, supplying more light with less energy!

The SBIP-320P supplies equivalent light output to a standard 400 watt lamp.*
 The SBIP-200P supplies equivalent light output to a standard 250 watt lamp.*

*When used with the proper 320 or 200 watt pulse start lamp.

SBIP-200P
Spacing Example *

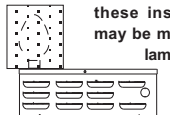


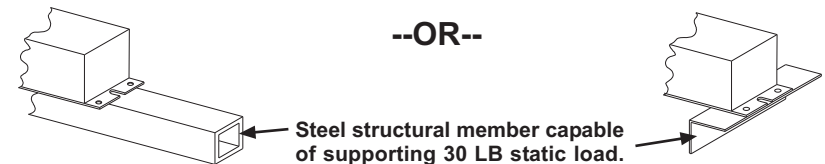
Dimensions are in feet unless otherwise specified.

- ◆ Place SBIP-200P on 3-foot centers.
- ◆ Minimum 30-inch deep cabinet
- ◆ 9 ft X 12 ft wide double-sided flex face sign, using (12) SBIP-200P HID fixtures.
- ◆ Line load @ 120V/60HZ = 25.2 amps
- ◆ Line load @ 277V/60HZ = 12.0 amps

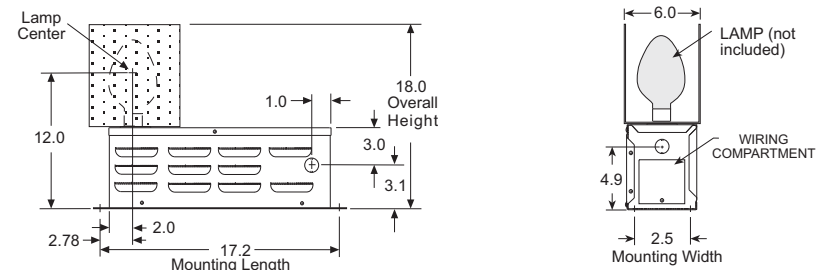
FRANCE

2268 Fairview Blvd. Fairview, TN 37062
 1-800-753-2753

<p>DANGER-</p> <ul style="list-style-type: none"> ◆ Case and any connected metal may become electrified if unit is not grounded properly and a secondary ground fault occurs. ◆ Hazardous voltage will cause shock, burn or death. <p>CAUTION -</p> <ul style="list-style-type: none"> ◆ Disconnect Power prior to installation or servicing. ◆ Replacement lamp must match type indicated on product label. 	<p>PARTS LIST</p> <p>(1) Ballast Can with Mogul Socket (1) Perforated Diffuser Screen (4) Screws for attaching Diffuser</p>	<p>NOTICE: To be compliant with UL Standard for Electric Signs, unit must be installed per these instructions. Unit may be mounted with the lamp in any position.</p> 
--	--	--

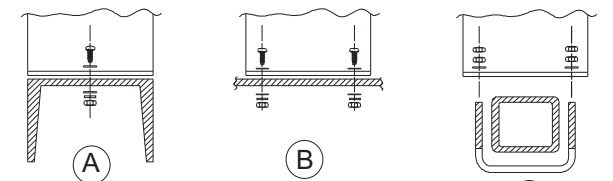


Step 1 - Determine mounting location (see spacing examples pages 3 & 4)

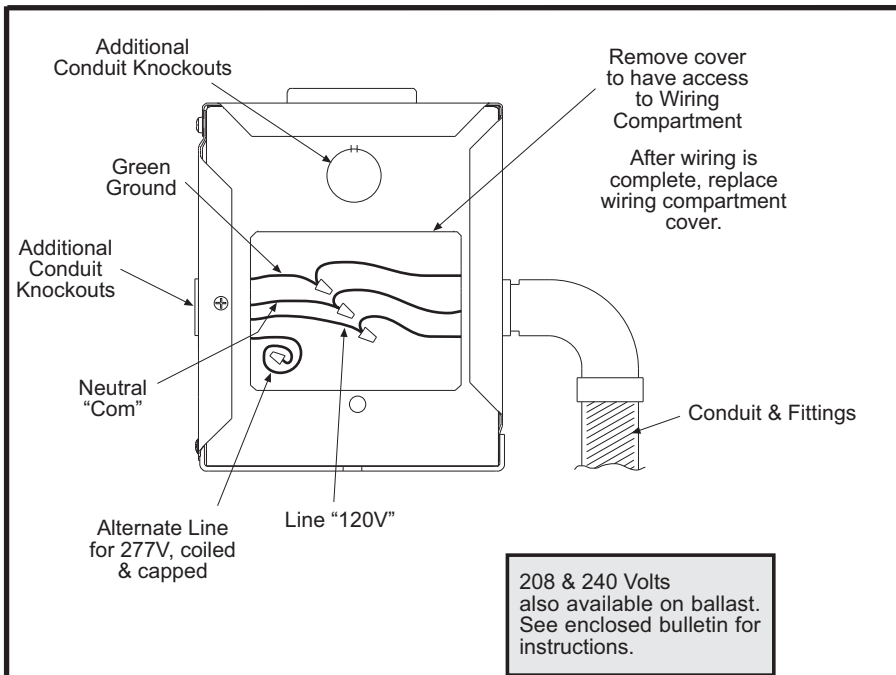


Dimensions are in inches unless otherwise specified.

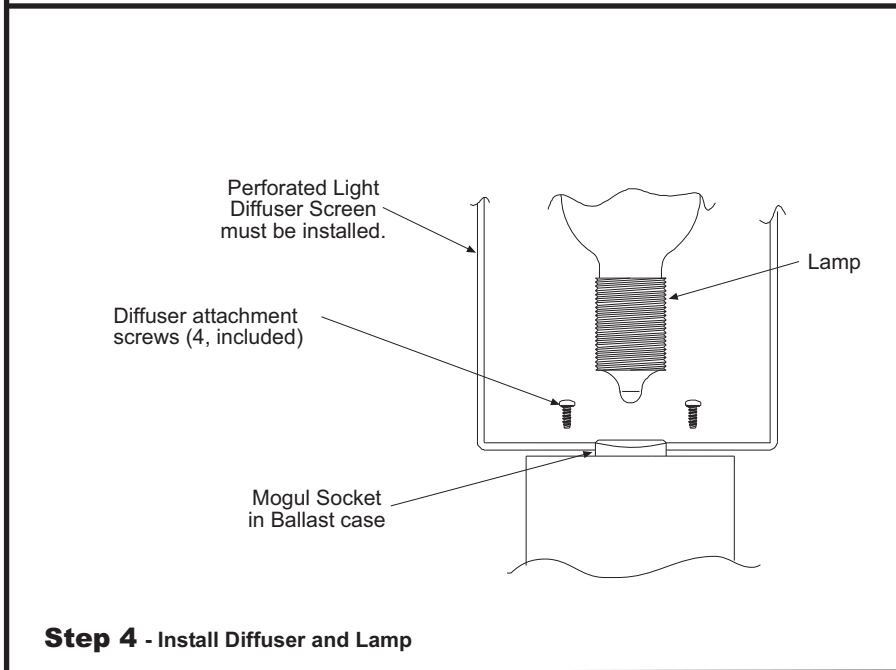
Step 2 - Mount Ballast unit on structural member with appropriate hardware.



- (A) .312 centerbolt mount on heavy framework
- (B) .250 double bolt mount on lighter framework
- (C) 2.50 x .250 clamp bolt around max 2.0 tubular framework

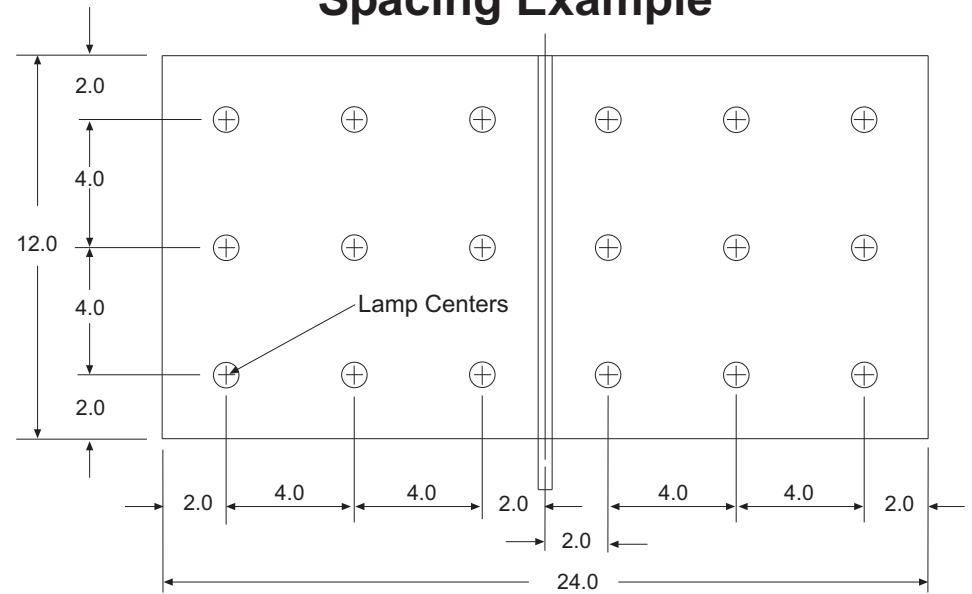


Step 3 - Hook up electrical



Step 4 - Install Diffuser and Lamp

**SBIP-320P
Spacing Example ***



Dimensions are in feet unless otherwise specified.

- ◆ Place SBIP-320P on 4-foot centers.
- ◆ Minimum 36-inch deep cabinet.
- ◆ 12 ft X 24 ft wide double-sided flex face sign using (18) SBIP-320P HID fixtures.
- ◆ Line load @ 120V/60HZ = 58.5 amps
- ◆ Line load @ 277V/60HZ = 25.2 amps

* These examples are for reference only.
Spacing will be determined by framework construction size and depth, luminance level desired, face substrate and face decoration.