
FRANCE

PBKMG-751
PBKMG-734

**Outdoor Non-weatherproof
Mini Internal Mount
Electrode Housing**



PBKMG-751



PBKMG-734



- ◆ UL 2161 Recognized Component
- ◆ Pre-wired Primary
- ◆ Ideal for Shallow Profile Individual Self-Contained Letters
- ◆ Small Case Size Allows for Small Spaces
- ◆ Available in 2 Styles - 751 & 734
- ◆ Heavy Duty Steel Construction

www.franceformer.com

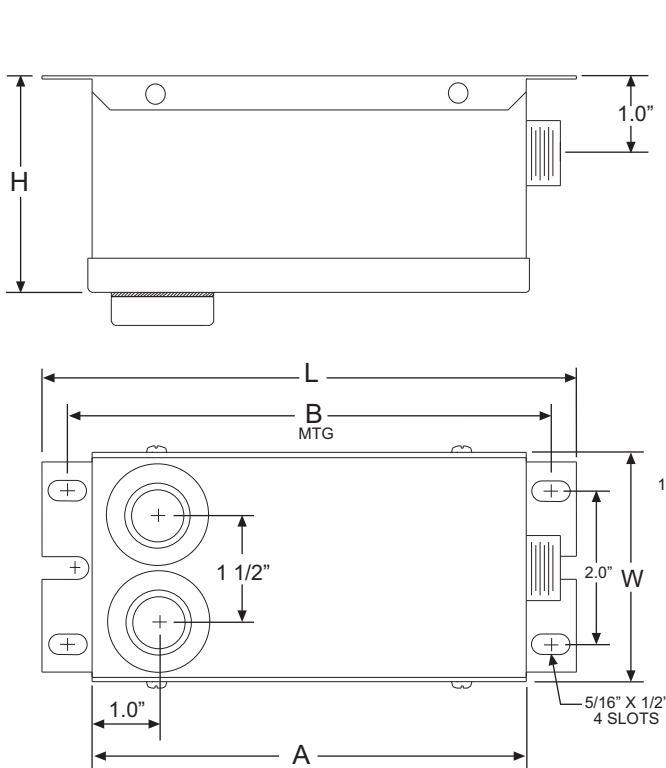
PBKMG-751 PBKMG-734

Outdoor Non-weatherproof Mini Internal Mount Electrode Housing

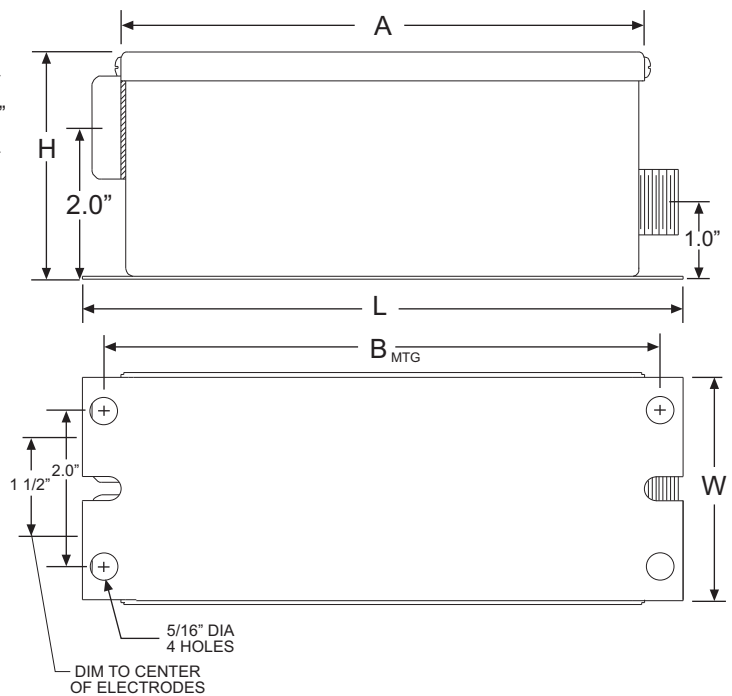
| NORMAL POWER FACTOR | | | | | | | | | | |
|---------------------|-----------|----|------------|-----------|--------|----------------------|-------|-------|-------|-------|
| Catalog Number | Secondary | | Primary VA | Input Amp | Wt lbs | Dimensions in Inches | | | | |
| | Volts | mA | | | | L | W | H | A | B |
| ❖ 5030 PBKMG-734 | 5000 | 30 | 160 | 1.34 | 7 | 7.75 | 2.875 | 2.937 | 6.750 | 7.250 |
| ❖ 4030 PBKMG-734 | 4000 | 30 | 140 | 1.17 | 7 | 7.75 | 2.875 | 2.937 | 6.750 | 7.250 |
| ● 3030 PBKMG-734 | 3000 | 30 | 100 | .85 | 7 | 7.75 | 2.875 | 2.937 | 6.750 | 7.250 |
| ❖ 5030 PBKMG-751 | 5000 | 30 | 160 | 1.34 | 7 | 7.00 | 3.000 | 2.828 | 5.800 | 6.314 |
| ❖ 4030 PBKMG-751 | 4000 | 30 | 140 | 1.17 | 7 | 7.00 | 3.000 | 2.828 | 5.800 | 6.314 |
| ● 3030 PBKMG-751 | 3000 | 30 | 100 | .85 | 7 | 7.00 | 3.000 | 2.828 | 5.800 | 6.314 |

- ❖ Secondary - Unbalanced Mid-point Ground
- Secondary - One End Ground

PBKMG-751



PBKMG-734



FRANCE
a Scott Fetzer company

email: france@franceformer.com