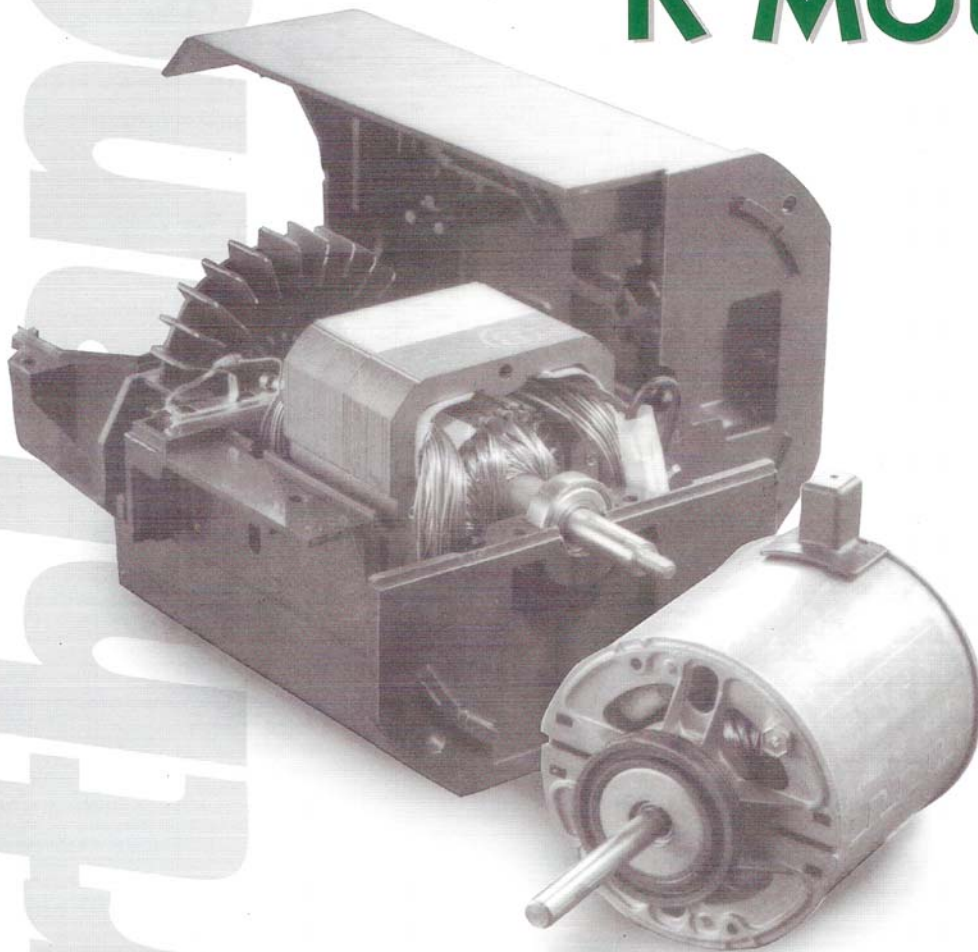


UNIVERSAL

# K Motor

Square &  
Round  
Laminations



## Features

- Meets or exceeds UL and CSA standards
- Variable speed up to 20,000 RPM
- Resilient mounting
- Up to 8 peak HP
- Motor life to 8000 hours

## Options

- Replaceable brushes
- Face mount or foot mount
- Ball or sleeve bearing construction
- Axial or radial fan cooling
- Shaft configuration to customer specification
- 120-240 VAC
- Overheating protection

120 VOLTS AC	Round Performance Reference				
Model No.	1	2	3	4	5
HP	0.5	1	2	3	4
RPM	17,000	16,000	14,000	13,000	12,000
AMP	6	8	10	11	13
Torque (in-oz)	40	50	60	75	100
Stall Torque (in-oz)	80	150	400	650	750

120 VOLTS AC	Square Performance Reference				
Model No.	1	2	3	4	5
HP	1	2	2.5	3.5	4.5
RPM	16,000	14,000	13,000	12,000	12,000
AMP	7.5	9	11	13	15
Torque (in-oz)	50	60	80	100	120
Stall Torque (in-oz)	150	400	550	700	800

## Applications

Hand Dryers • Pumps • Blowers • Centrifuges • Spa Bath  
Floor Cleaning • Business Equipment • Wet-Dry Utility Vacs

In the four decades Northland has been making motors, our core business of customized universal motors has grown to include a broad range of FHP motors such as Vacuum, Induction, PMDC and Brushless designs.

# Northland

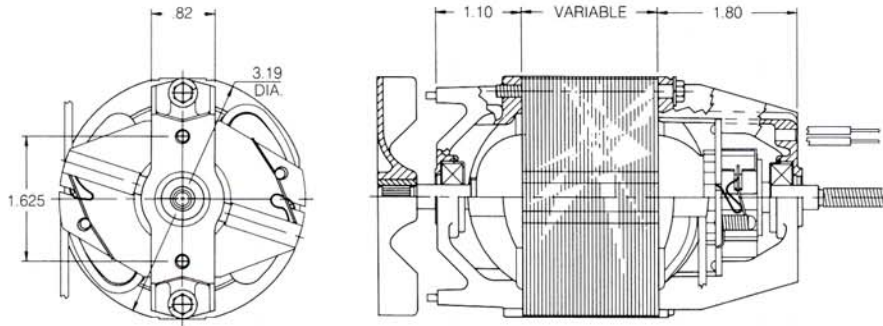
a Scott Fetzer company

Putting Concepts In Motion

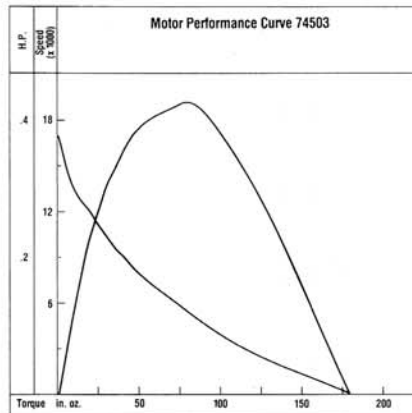
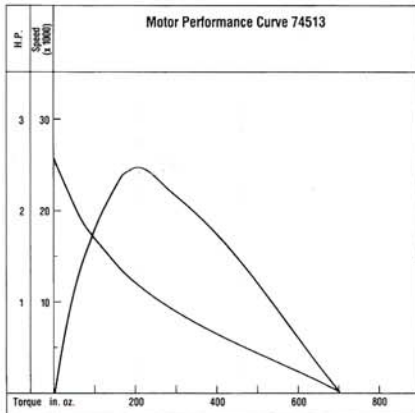
968 Bradley Street  
Watertown, NY 13601  
Phone: (315) 782-2350  
Fax: (315) 788-1180

Website: [www.northlandmotor.com](http://www.northlandmotor.com)  
E-mail: [info@northlandmotor.com](mailto:info@northlandmotor.com)

## Round K Motor



Totally enclosed or skeleton frame motors



Performance characteristics represents average test data at 120 VAC.

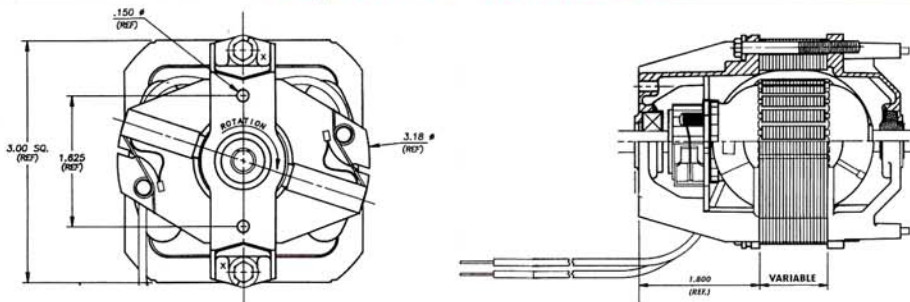
## UNIVERSAL K Motor

NORTHLAND CUSTOM  
CAPABILITIES PUTS YOUR  
CONCEPTS IN MOTION

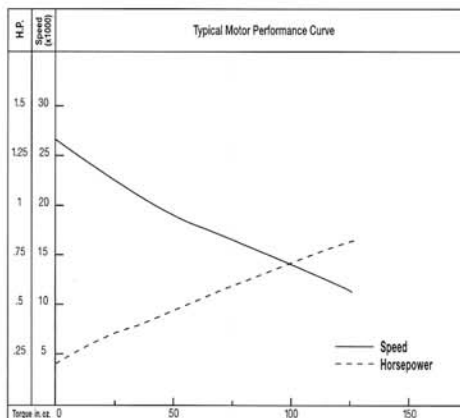
SELECT THE CUSTOMIZED  
MOTOR OPTIONS WHICH  
BEST FIT YOUR DESIGN  
REQUIREMENTS

CALL FOR ADDITIONAL  
OPTIONS

## Square K Motor



Totally enclosed or skeleton frame motors



Performance characteristics represents average test data at 120 VAC.

Northland has plants  
in Watertown, NY  
and Juarez, Mexico

**Northland**

a Scott Fetzer company

Putting Concepts In Motion

968 Bradley Street  
Watertown, NY 13601  
Phone: (315) 782-2350  
Fax: (315) 788-1180

Website: [www.northlandmotor.com](http://www.northlandmotor.com)

# Northland