

# WESTRIM™

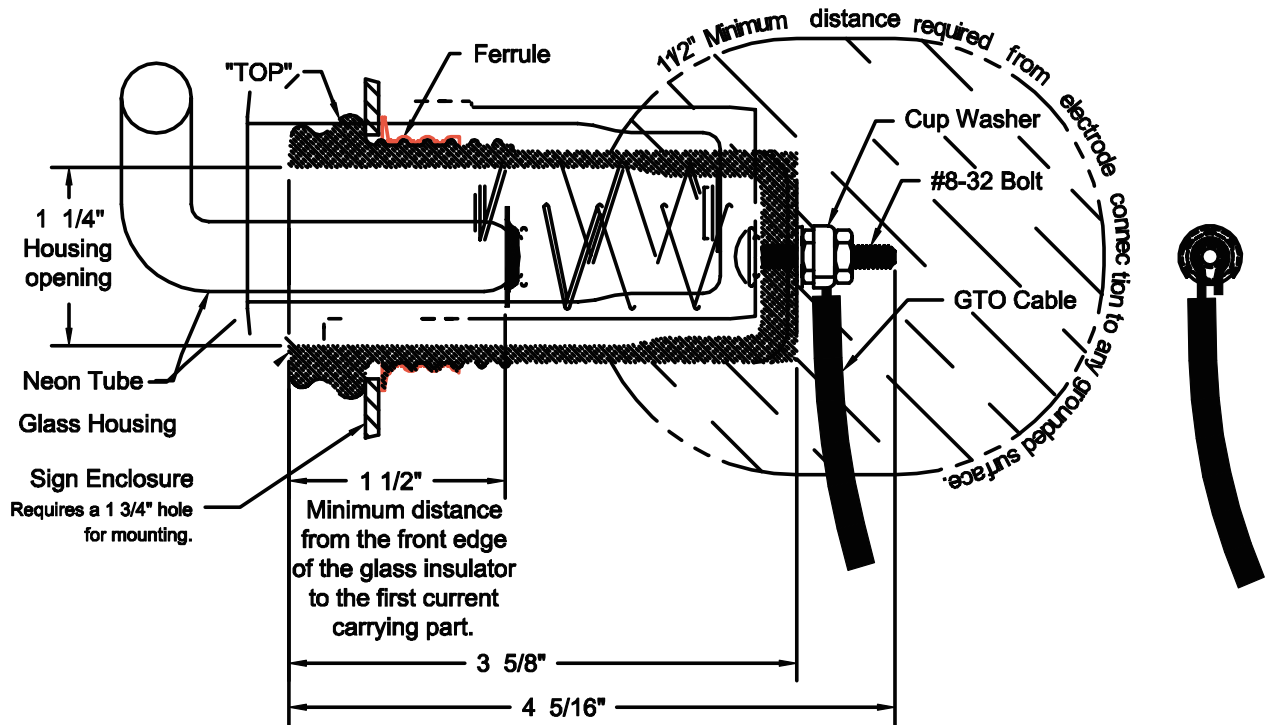
## PRODUCTS

A FRANCE COMPANY

### #100 Glass Housing

Part Number: 38282 Cat#: GH100

The GH100 Glass Housing provides an affordable, safe method for making neon connections. It is made of borosilicate heat resistant glass. The spring contact allows for neon tubes to be easily serviced. It is rated for 7,500 V applications including 15,000 V mid-point referenced transformer installations and comes with a plated steel ferrule to secure the unit to the sign enclosure.



1. Mount the housing in a horizontal position with the "TOP" indicator up as shown or with the opening below the body to allow for drainage of moisture that may condense inside the unit.
2. Make sure that all minimum distance requirements have been achieved.
3. Wrap the stripped GTO wire once around the screw as shown, under the cup washer. Tighten nut.



These products are Listed to applicable U.S. and Canadian standards and requirements by Underwriters Laboratories, Inc.

	<b>WARNING</b>
	Failure to comply with the required spacing and orientation may result in a potential fire hazard or electrical shock.